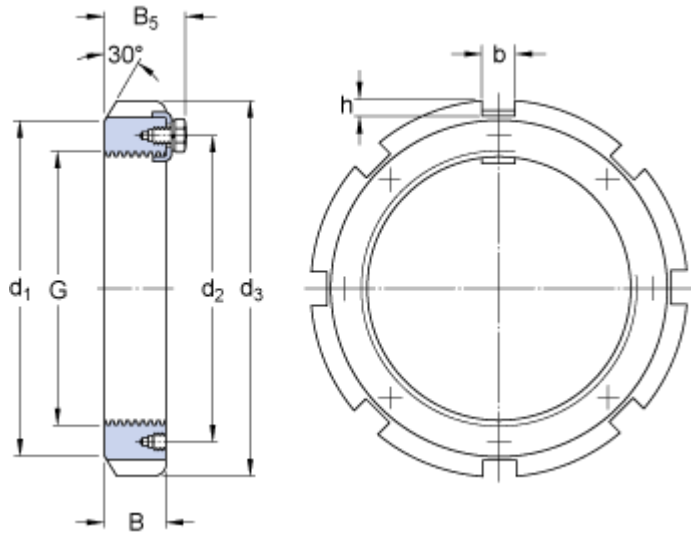


# HM 3176

## Dimensions



G	Tr 380x5	
d <sub>3</sub>	490	mm
B	60	mm
d <sub>1</sub>	440	mm
d <sub>2</sub>	415	mm
B <sub>5</sub>	77	mm
b	32	mm
h	18	mm

## Mass

Mass lock nut	32	kg
---------------	----	----

## Mounting information

Appropriate spanner	TMFN 64-80
Appropriate eyebolt for handling	M 10

## Appropriate products

Locking clip	MS 3176
--------------	---------